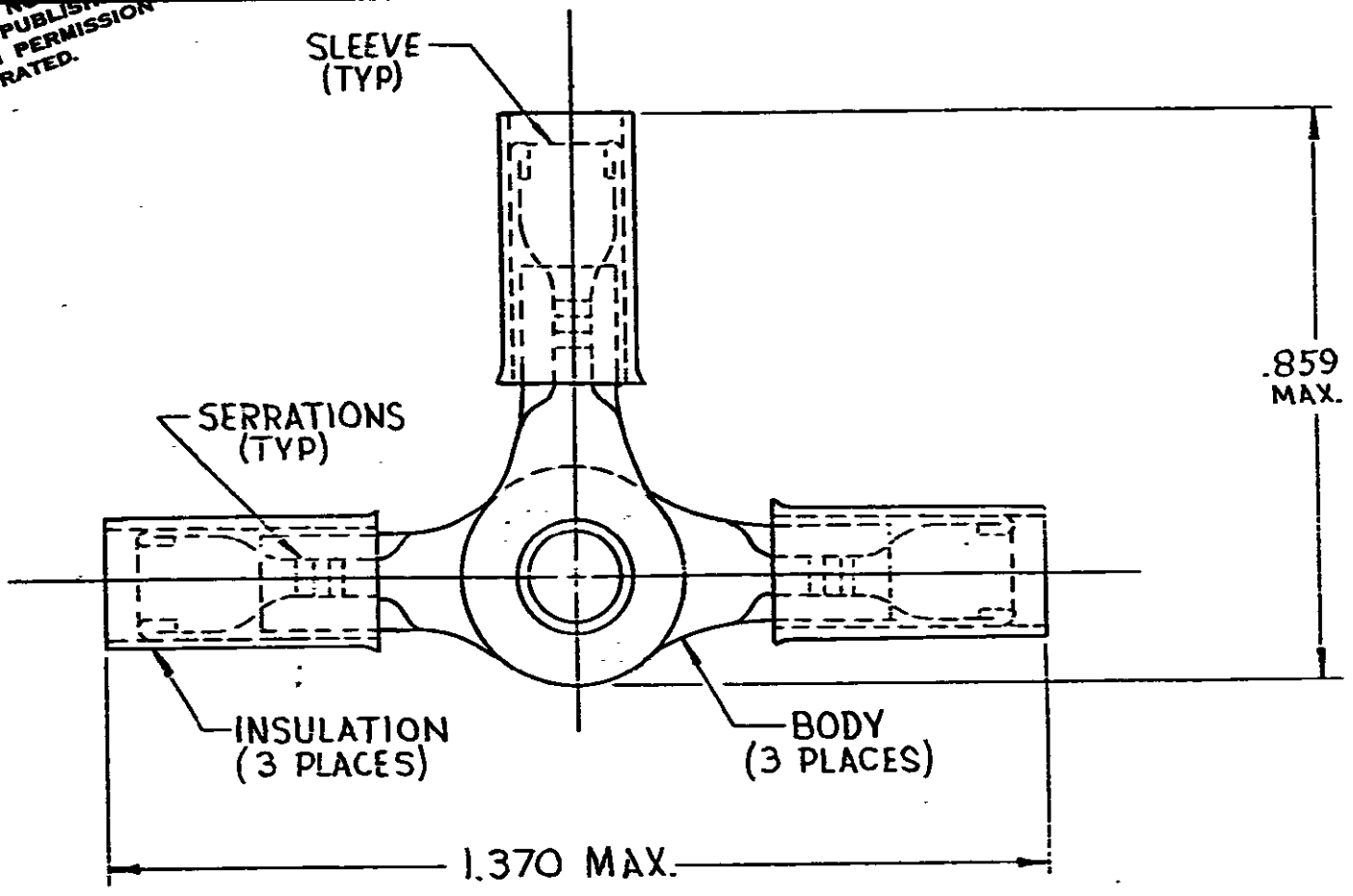


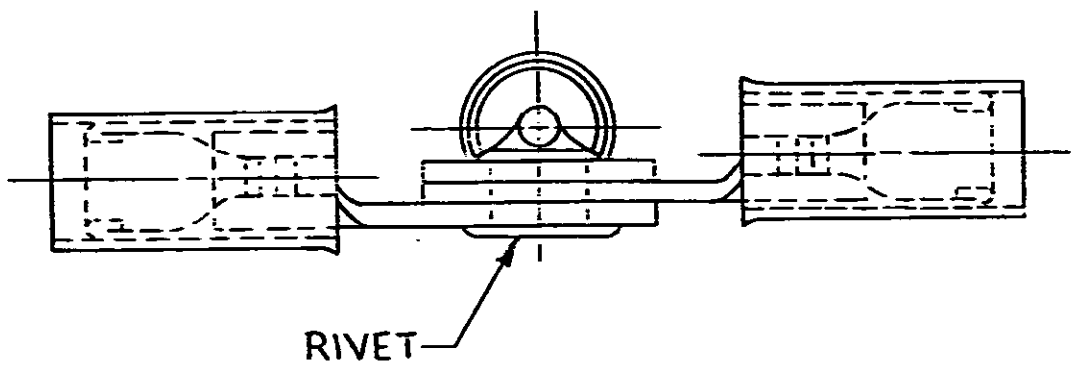
© 1973 BY AMP INCORPORATED. ALL RIGHTS RESERVED. AMP PRODUCTS COVERED BY PATENTS AND/OR PATENTS PENDING.

UNPUBLISHED COPY NOT TO BE REPRODUCED NOR PUBLISHED WITHOUT WRITTEN PERMISSION OF AMP INCORPORATED.

REVISIONS				
ZONE	LTR	DESCRIPTION	DATE	APPROVED
	O	NPS 73-0110	4-17-73	RL
	A	REV PER G-4732	7-88	pjr
	B	REV/0720-0049-93	3-93	TQ me



TONGUE MATERIAL THK. = .031<sup>±.002</sup>  
FOR .115 TO .170 WIRE INS. DIA.



50	LOOSE PC. BOX SPL	8-53222-5	PIDG TERMINAL BODY & SLEEVE: COPPER (QQ-C-576) TIN PL. (MIL-T-10727) ANNEALED INSULATION: NYLON COLOR: BLUE RIVET: BRASS (QQ-B-626) TIN PLATE (MIL-T-10727)
10	LOOSE PC. BLS	8-53222-4	
25	LOOSE PC. BOX	8-53222-3	
1	3 WAY CONNECTOR	53222-1	
QTY.	DESCRIPTION	PART NO.	MATERIAL & FINISH
UNLESS OTHERWISE SPECIFIED DIMENSIONS ARE IN INCHES TOLERANCES ON: DECIMALS ±.008 ANGLES ±5°		CONTRACT NO. 4	<b>AMP</b> AMP INCORPORATED HARRISBURG, PENNSYLVANIA
MATERIAL SEE TABLE		DR. <i>Ralph Lee</i> 4-13-73 CHN <i>Abel</i> 4-17-73 APPD <i>Abel</i> 4-17-73 REL <i>Ralph Lee</i> 7-13-73	
		OSGN APPD	SIZE B CODE IDENT NO. 00779 NUMBER 53222
		OTHER APPD	SCALE NTS SHEET 1 OF 1